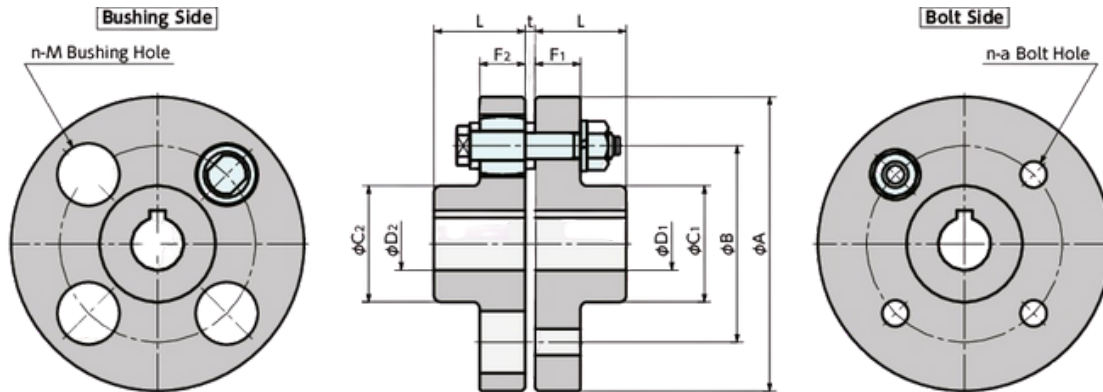


Crown Pin Coupling FCL

When connecting the line shaft, flexible flange coupling has many merits with simple assembly/disassembly and extremely lowest price

1. Transmits power smoothly.
2. Absorb shock load and vibration.
3. Easy Replacement of parts.
4. Simple construction.
5. Easy assemble and disassembly.



• The bolt hole positions are roughly arranged for the keyway.

Size	A	L	Bore		C		F		n (item)	a	M	t	Screw Size	Insert Size	Normal Torque (NM)	Max Speed (RPM)	G (kg)
			Min	Max	C1	C2	F1	F2									
FCL-90	90	28	6	20	35.5	35.5	14	14	4	8	19	3	M8X50	F1	4	4000	1.7
FCL-100	100	35.5	6	25	42.5	42.5	16	16	4	10	23	3	M10X56	F2	10	4000	2.3
FCL-112	112	40	9	28	50	50	16	16	4	10	23	3	M10X56	F2	16	4000	2.8
FCL-125	125	45	9	28	56	50	18	18	4	14	32	3	M12X64	F3	25	4000	4.0
FCL-140	140	50	9	35	71	63	18	18	6	14	32	3	M12X64	F3	50	4000	5.4
FCL-160	160	56	12	45	80	80	18	18	8	14	32	3	M12X64	F3	110	4000	8.0
FCL-180	180	63	12	50	90	90	18	18	8	14	32	3	M12X64	F3	157	3500	10.5
FCL-200	200	71	18	56	100	100	22.4	22.4	8	20	41	4	M20X85	F4	245	3200	16.2
FCL-224	224	80	18	63	112	112	22.4	22.4	8	20	41	4	M20X85	F4	392	2850	21.3
FCL-250	250	90	20	71	125	125	28	28	8	25	51	4	M24X100	F5	618	2550	31.6
FCL-280	280	100	30	80	140	140	28	40	8	28	57	4	M24X116	F6	980	2300	44.0
FCL-315	315	112	30	90	160	160	28	40	10	28	57	4	M24X116	F6	1568	2050	57.7
FCL-355	355	125	30	100	180	180	35.5	56	8	35.5	72	5	M30X150	F7	2450	1800	89.5
FCL-400	400	125	48	110	200	200	35.5	56	10	35.5	72	5	M30X150	F7	3920	1600	113
FCL-450	450	140	58	125	224	224	35.5	56	12	35.5	72	5	M30X150	F7	6174	1400	145
FCL-560	560	160	78	140	250	250	35.5	56	14	35.5	72	5	M30X150	F7	9800	1150	229
FCL-630	630	180	90	160	280	280	35.5	56	18	35.5	72	5	M30X150	F7	15680	1000	296