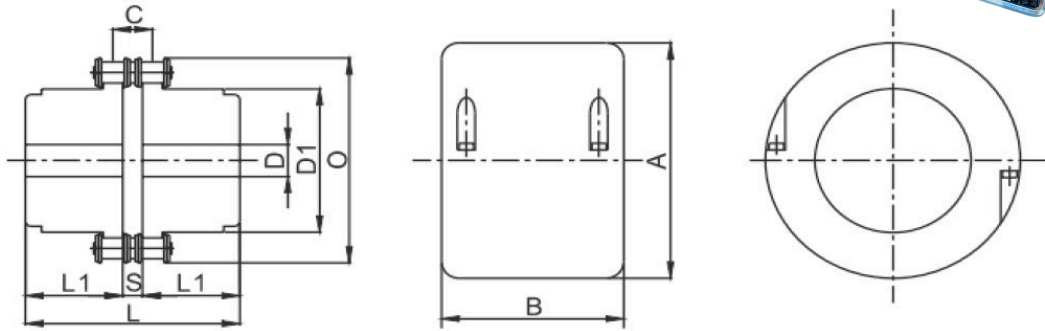


# Chain Coupling KC

The TORS Chain coupling give high efficiency in as connecting directly two shafts for the transmission of power , also has three major parts two hardende teeth sprockets and one RS double standard roller chain



Size	Applicable Range of shaft	Pilot dia D	DIMENSIONS(mm)								Max Angular Degree	Bolt	Max Torque (Nm)	Max Revolution (rpm)	Moment of inertia (kg.cm)	Required Amount of Grease (kg)	G (kg)
			A	D1	O	L	I	S	B	C							
3012	12-16	12	69	25	45	64.8	29.8	5.2	63	10.2	M6	190	5000	3.7	0.10	0.4	
4012	12-22	12	77	33	62	79.4	36.0	7.4	72	14.4	M6	249	4800	5.5	0.10	0.8	
4014	12-28	12	84	43	69	79.4	36.0	7.4	75	14.4	M6	329	4800	9.7	0.13	1.1	
4016	14-32	14	92	48	77	87.4	40.0	7.4	75	14.4	M6	419	4800	14.4	0.17	1.4	
5014	15-35	14	101	53	86	99.7	45.0	9.7	85	18.1	M8	620	3600	28.0	0.22	2.2	
5016	16-40	16	111	60	93	99.7	45.0	9.7	85	18.1	M8	791	3600	37.0	0.26	2.7	
5018	16-45	16	122	70	106	99.7	45.0	9.7	85	18.1	M8	979	3000	56.3	0.36	3.8	
6018	20-56	20	142	85	127	123.5	56.0	11.5	105	22.8	M10	1810	2500	137.3	0.50	6.2	
6020	20-60	20	158	98	139	123.5	56.0	11.5	105	22.8	M10	2210	2500	210.2	0.60	7.8	
6022	20-71	20	168	110	151	123.5	56.0	11.5	117	22.8	1° M10	2610	2500	295.0	0.70	10.4	
8018	20-80	20	190	110	169	141.2	63.0	15.2	129	29.3	M12	3920	2000	520.0	0.90	12.7	
8020	20-90	20	210	121	185	145.2	65.0	15.2	137	29.3	M12	4800	2000	812.4	1.10	16.0	
8022	20-100	20	226	140	202	157.2	71.0	15.2	137	29.3	M12	5640	1800	1110.0	1.20	20.2	
10020	25-110	25	281	160	233	178.8	80.0	18.8	153	35.8	M12	8400	1800	2440.0	1.80	33.0	
12018	35-125	35	307	170	256	202.7	90.0	22.7	181	45.4	M12	12700	1500	3940.0	3.20	47.0	
12022	35-140	35	357	210	304	222.7	100.0	22.7	181	45.4	M12	18300	1250	7810.0	4.40	72.0	
16018	63-160	53	375	228	340	254.1	112.0	30.1	240	58.5	M16	26400	1100	14530.0	7.20	108.0	
16022	80-200	70	440	279	405	310.1	140.0	30.1	245	58.5	M16	38100	1000	32220.0	9.90	187.0	
20018	82-205	75	465	289	425	437.5	200.0	37.5	285	71.6	M20	54100	800	50980.0	11.80	286.0	
20022	100-255	90	545	363	506	477.5	220.0	37.5	300	71.6	M20	77800	600	111100.0	15.80	440.0	
24022	120-310	110	650	448	607	650.0	302.5	45.0	340	87.8	M20	137000	600	310000.0	21.90	869.0	
24026	150-360	140	745	526	704	700.0	327.5	45.0	350	87.8	M20	186000	500	598500.0	28.10	1260.0	

Keyway dimensions conform to DIN 6885, GB 1095-1979 standards.